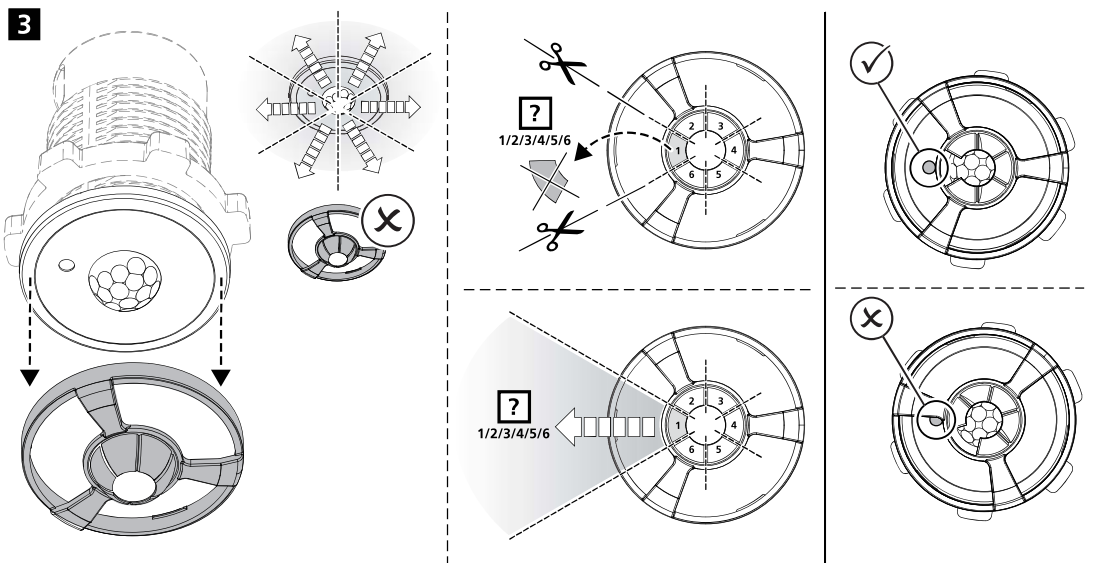
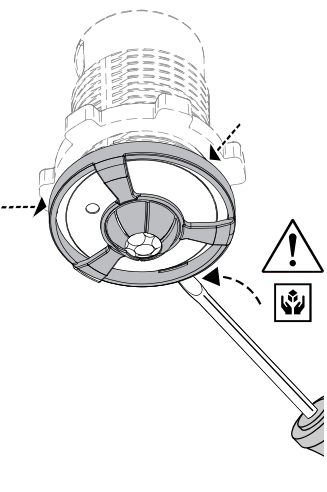
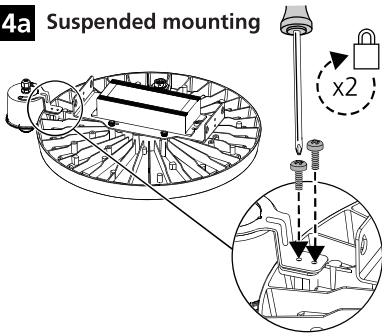


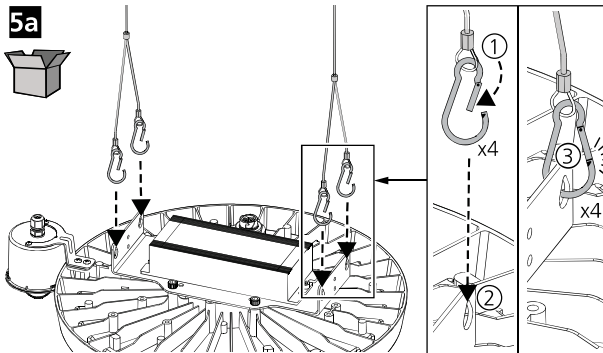
2 SylSmart SSA
Sensor Shield Accessory



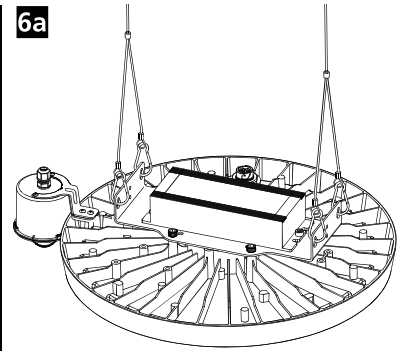
4a Suspended mounting



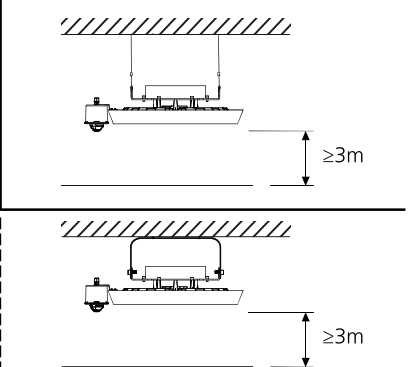
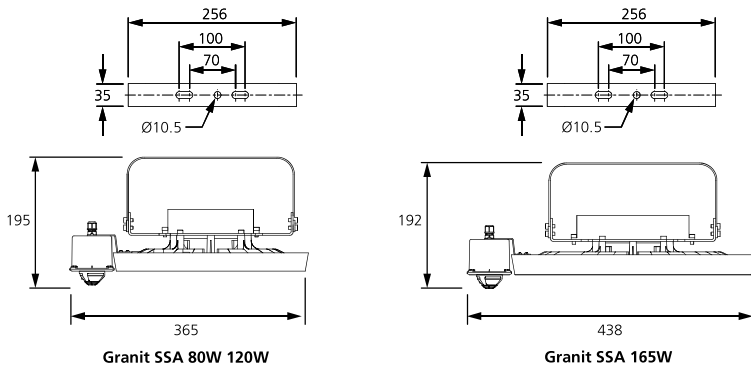
5a



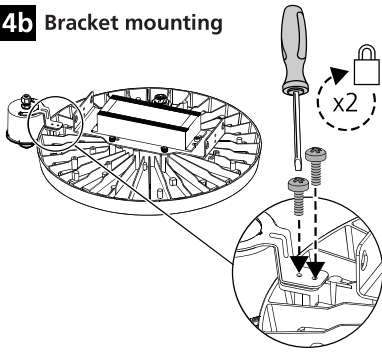
6a



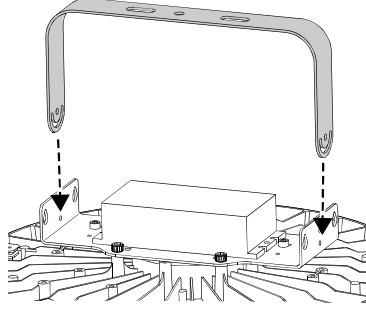
Bracket mounting



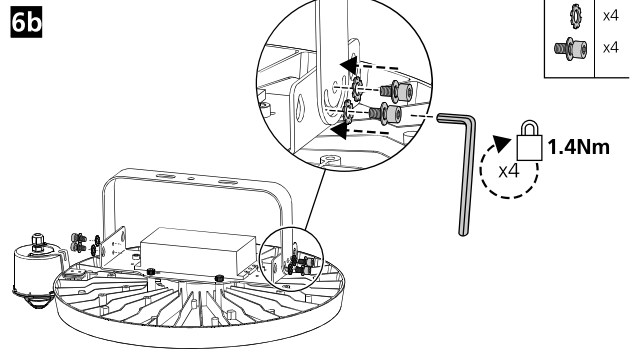
4b Bracket mounting



5b



6b



! Z-type

